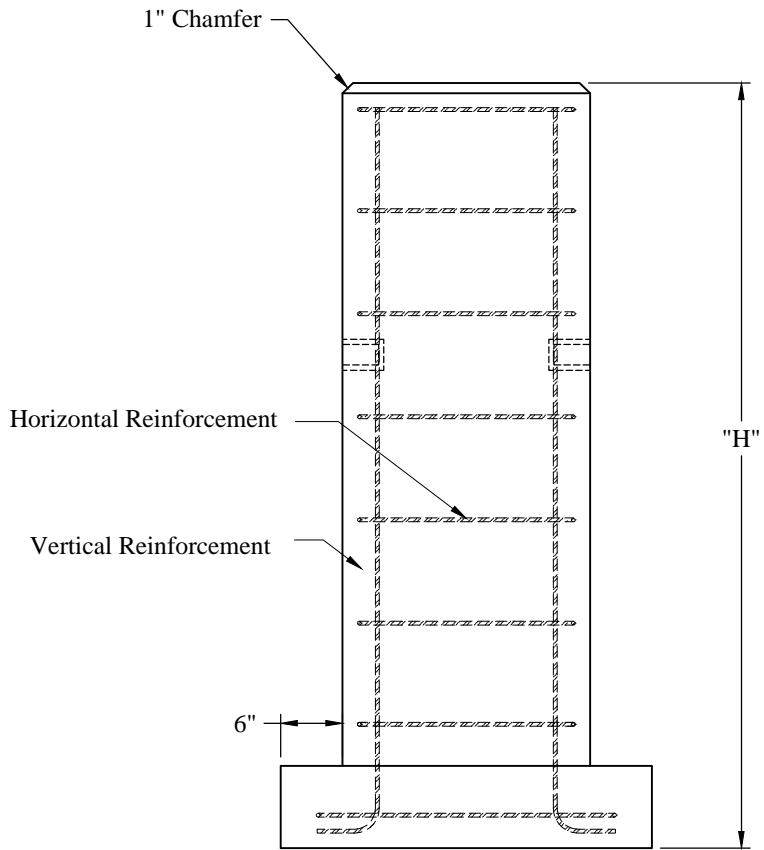
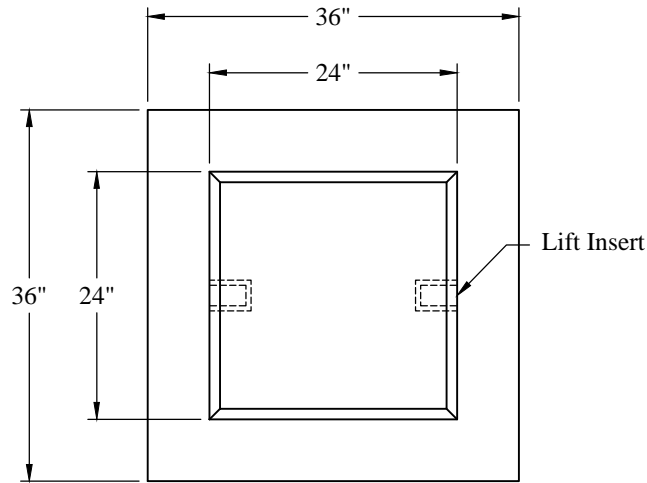


1-800-639-2199

Fax (603) 224-2927

PiersRectangular\24 x 24 Inch Pier with Footing(v)



Height	Weight	P/N:
4'-8"	3,280 lbs	PIER-24S4F
5'-8"	3,875 lbs	PIER-24S5F
6'-8"	4,470 lbs	PIER-24S6F
7'-8"	5,065 lbs	PIER-24S7F
8'-8"	5,660 lbs	PIER-24S8F
9'-8"	6,255 lbs	PIER-24S9F
10'-8"	6,850 lbs	PIER-24S10F
11'-8"	7,445 lbs	PIER-24S11F

General Notes

1. Concrete: $f_c = 4,000$ PSI @ 28 Days Minimum
2. Reinforcing Steel Conforms to Latest ASTM Specifications:
ASTM A615 Grade 60 Rebar Black Deformed Bars

Phoenix
Precast
Products

24" x 24" Pier
With Footing

Phoenix Precast Products

Phoenix Precast Products